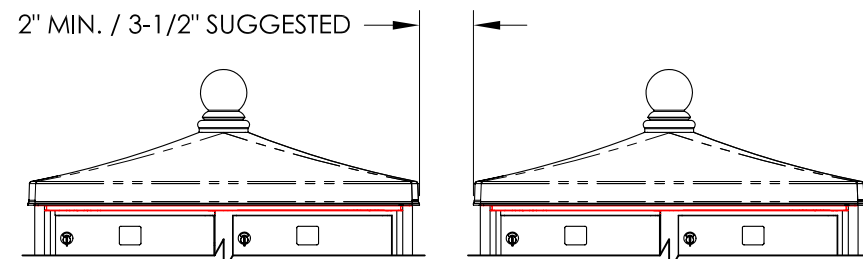
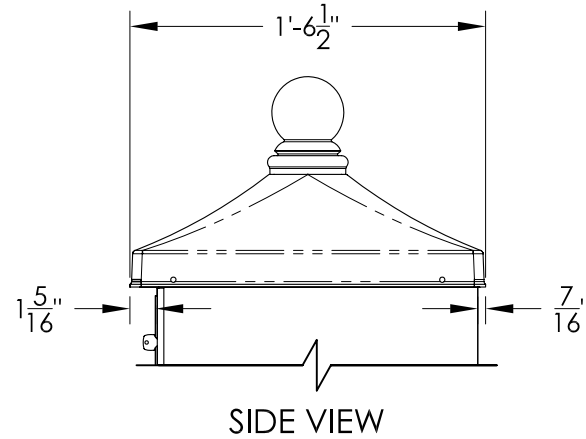
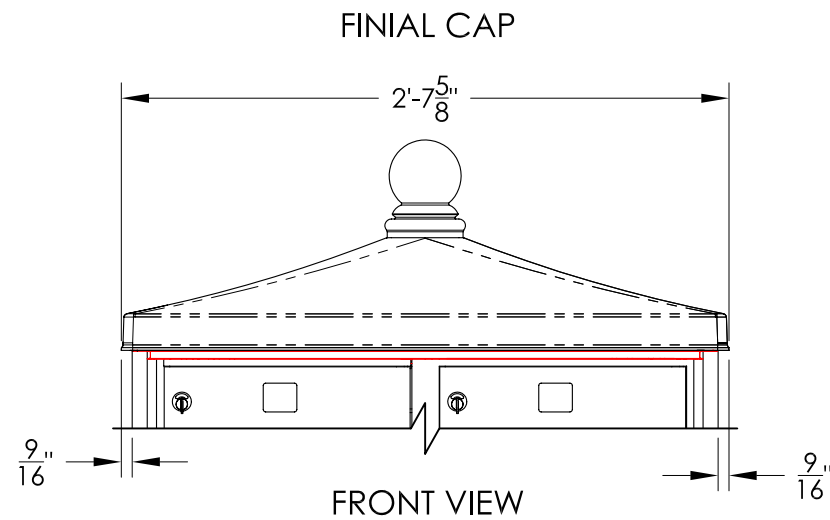
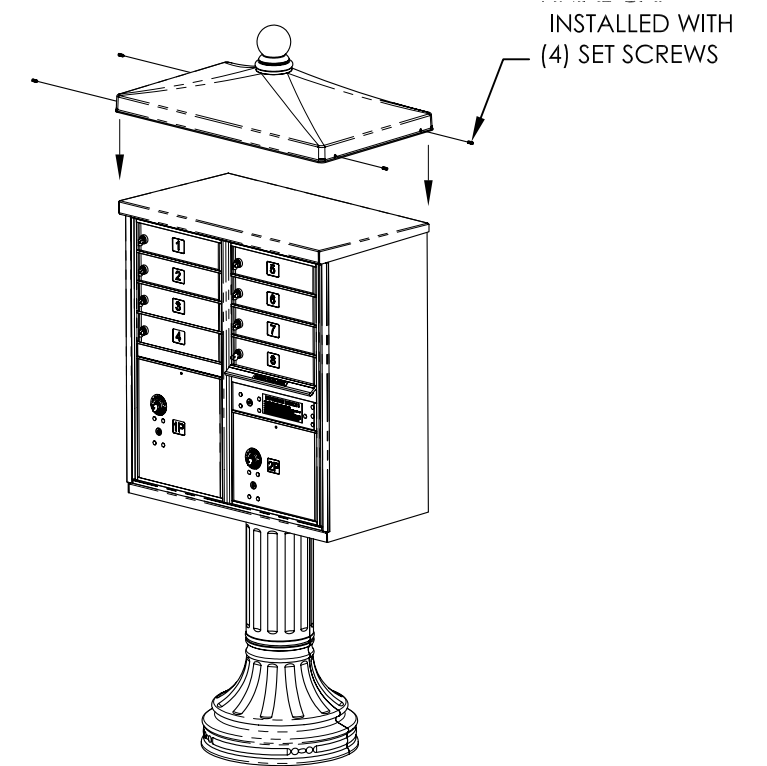
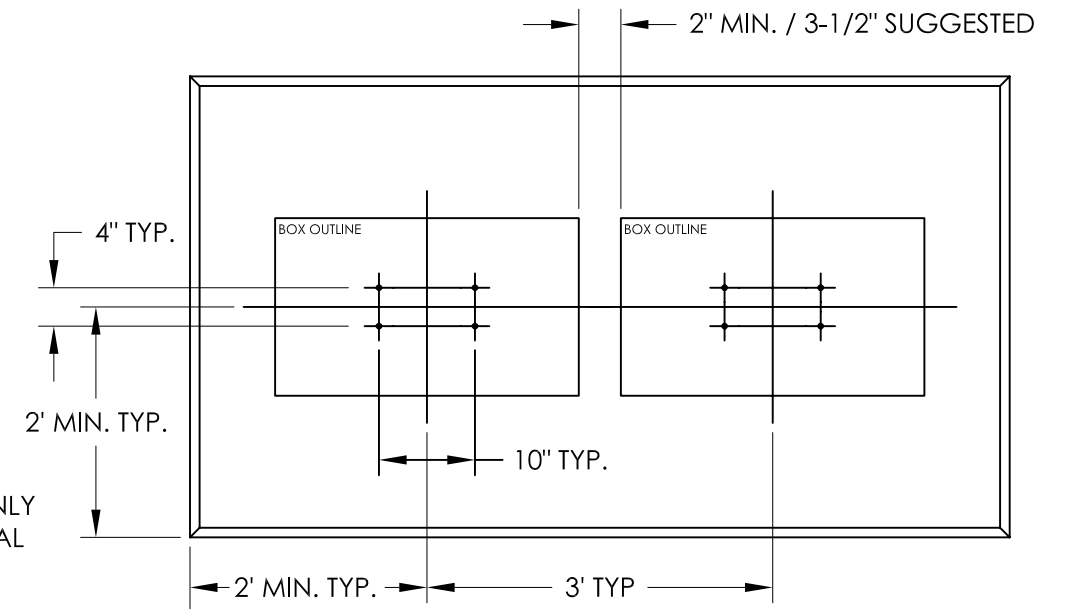
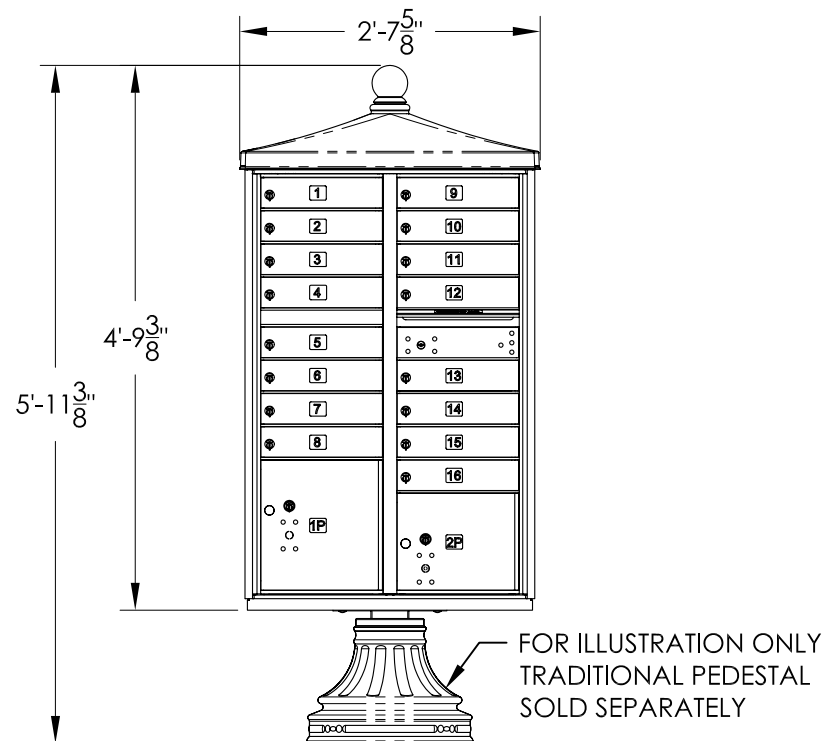
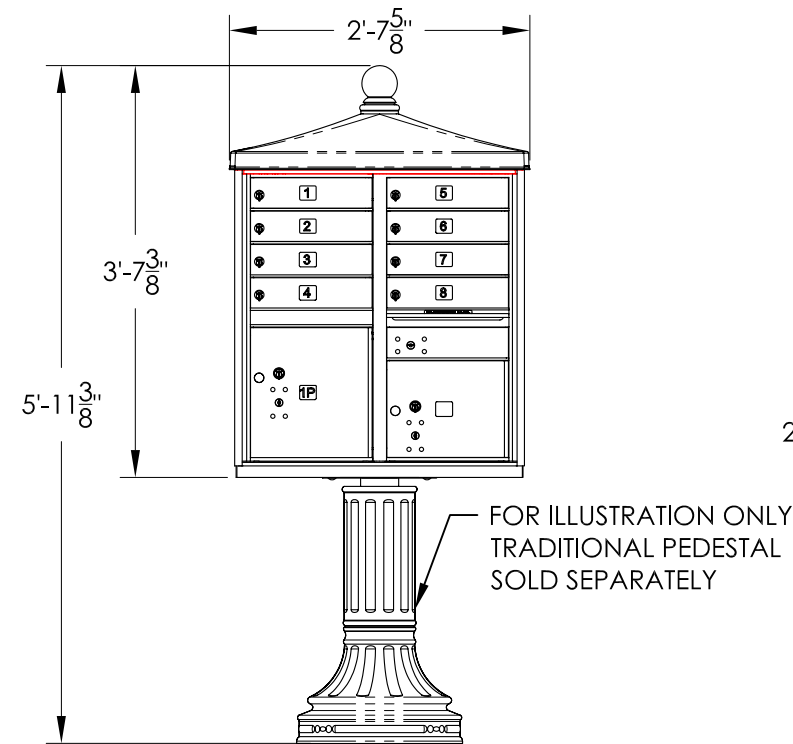


MULTI-UNITS PAD SPECIFICATION



IMPORTANT CLEARANCE SPEC
SEE **MULTI UNIT PAD SPECIFICATION**
FOR BOLT PATTERN AND SPACING

1570 CBU SERIES VIEW WITH INSTALLED ACCESSORIES



NOTES:

1. FINIAL CAP DESIGN REQUIRES ADDITIONAL SPACE BETWEEN CBUs. FOR MULTIPLE CBU INSTALLATIONS. SEE IMPORTANT CLEARANCE SPEC ABOVE.
2. CAP AND PEDESTAL COVER SOLD SEPARATELY.
3. FINIAL CAP AVAILABLE IN ALL STANDARD CBU POWDER COAT FINISHES.
4. FINIAL INSTALLED USING (4) SET SCREWS. HARDWARE INCLUDED.
5. FINIAL CAP DESIGNED TO FIT OVER FLORENCE 1570 SERIES CBU.

PRODUCT SERIES: VOGUE™ CBU ACCESSORIES FINIAL CAP

U.S. MAIL SUPPLY
America's Mailbox Headquarters

262-782-6510 Toll Free: 800-571-0147

1553 E. Racine Ave. Waukesha, WI 53186

| | | | |
|----------------|------------|---------------|----------|
| MODEL | FINIAL CAP | REV | - |
| SCALE | NONE | LAST REV DATE | 4/1/2010 |
| DRAWING NUMBER | VOGUECAM | DRAWN BY | AFD |
| | | SHEET | 1 OF 1 |